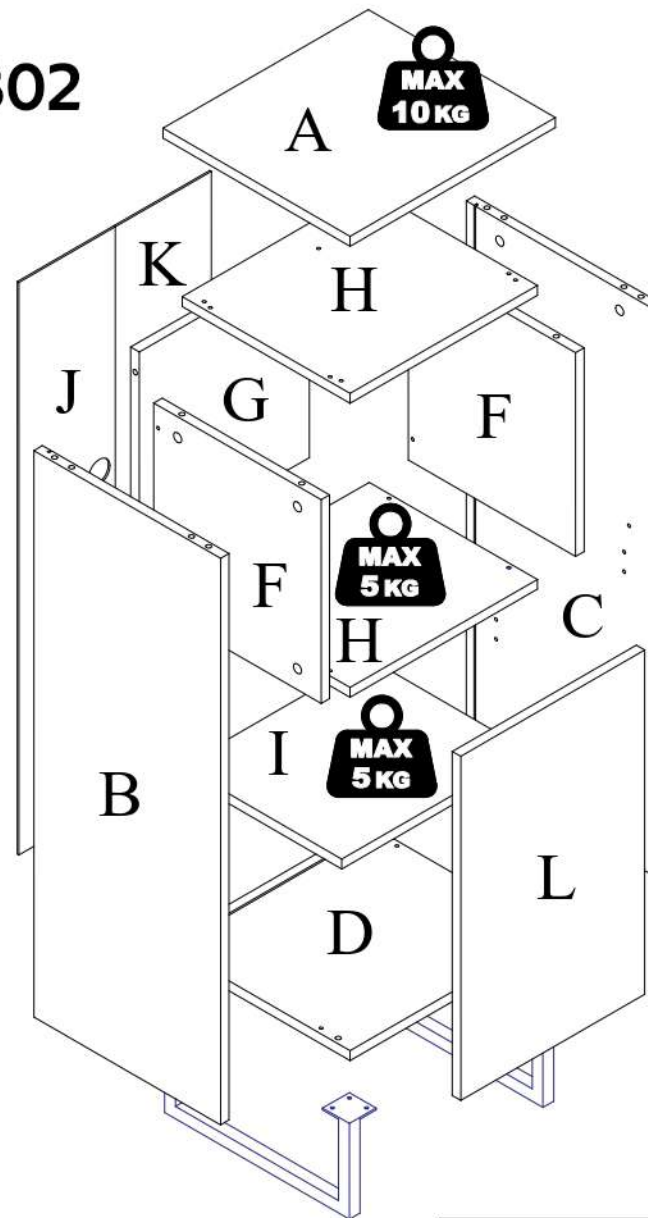
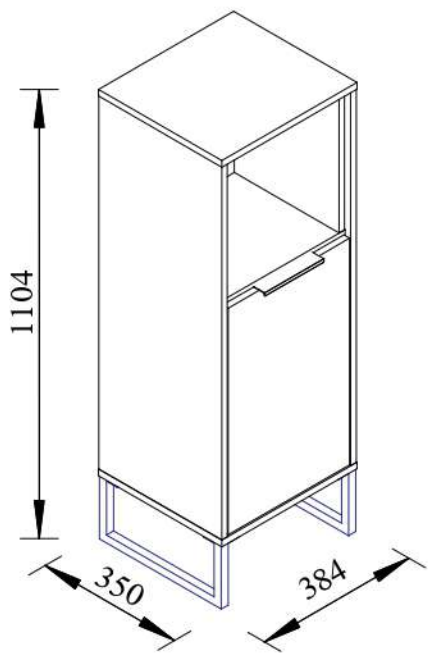
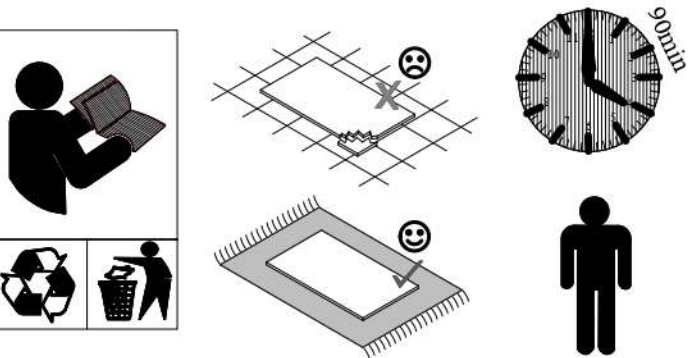
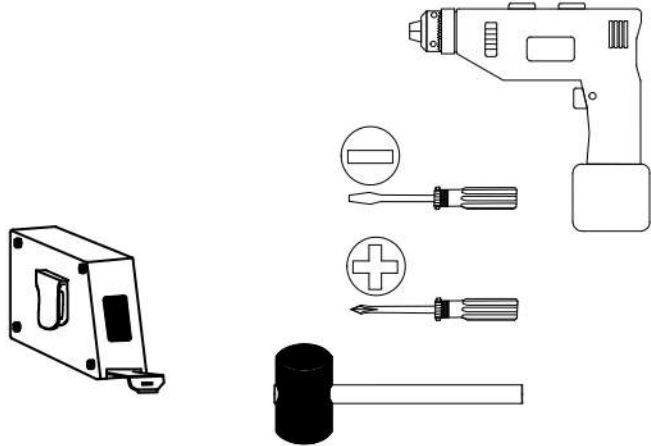

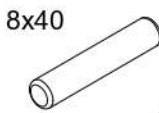


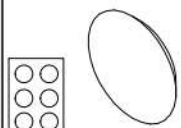


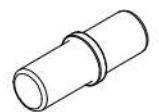
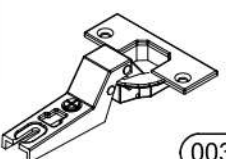
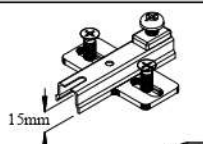

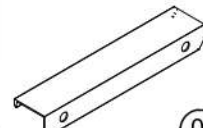


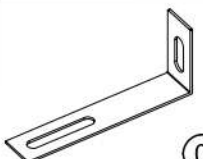

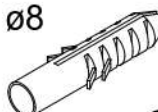
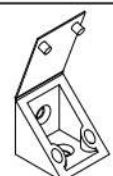

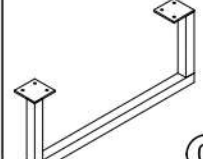
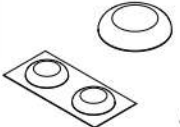


CUBO CUB02

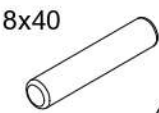


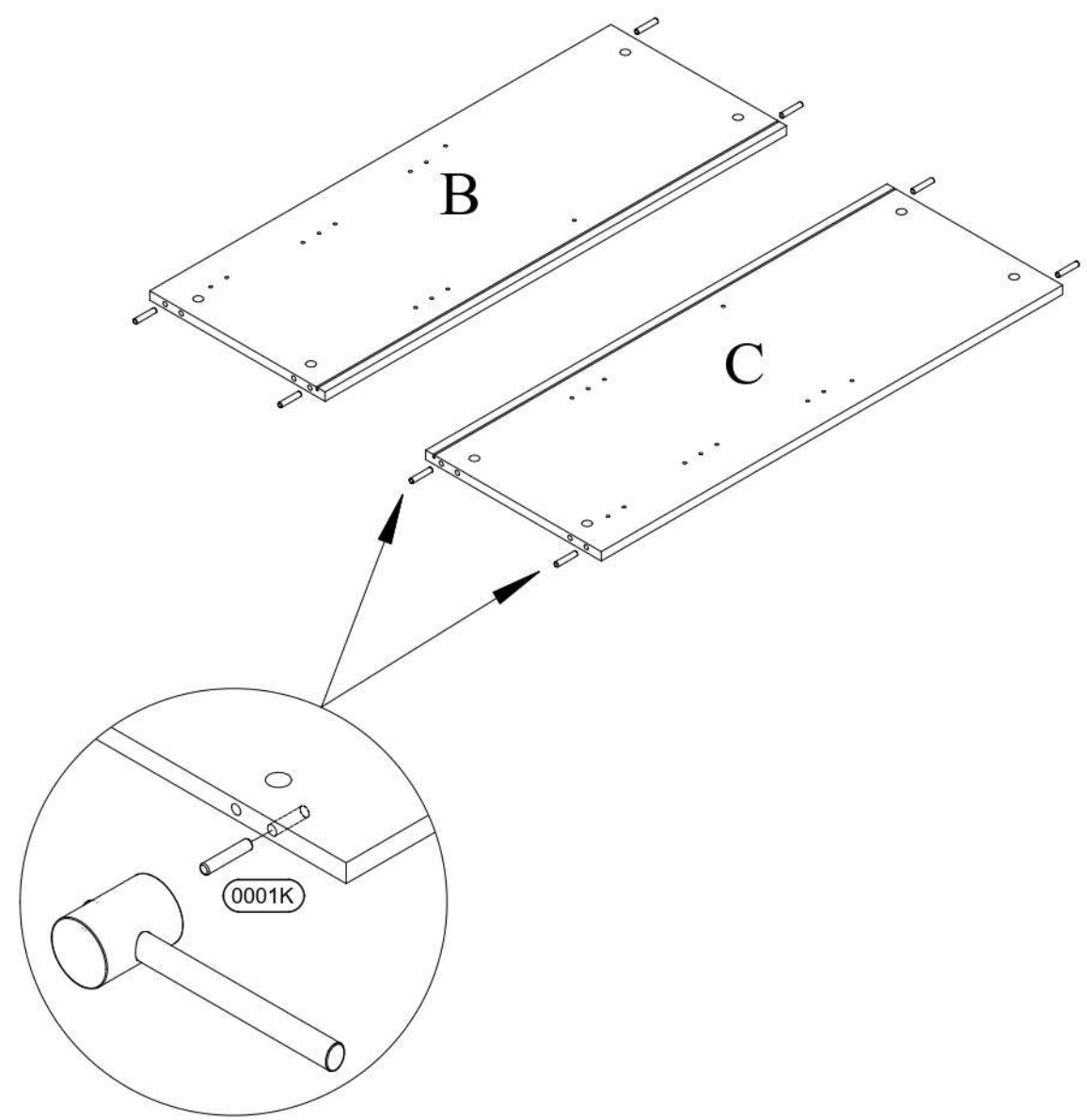
1/1				
B+C	917	x	349	2
H	350	x	311	2
F	330	x	310	2
J+K	927	x	180	2
I	350	x	300	1
G	318	x	330	1
L	557	x	344	1
A+D	384	x	350	2

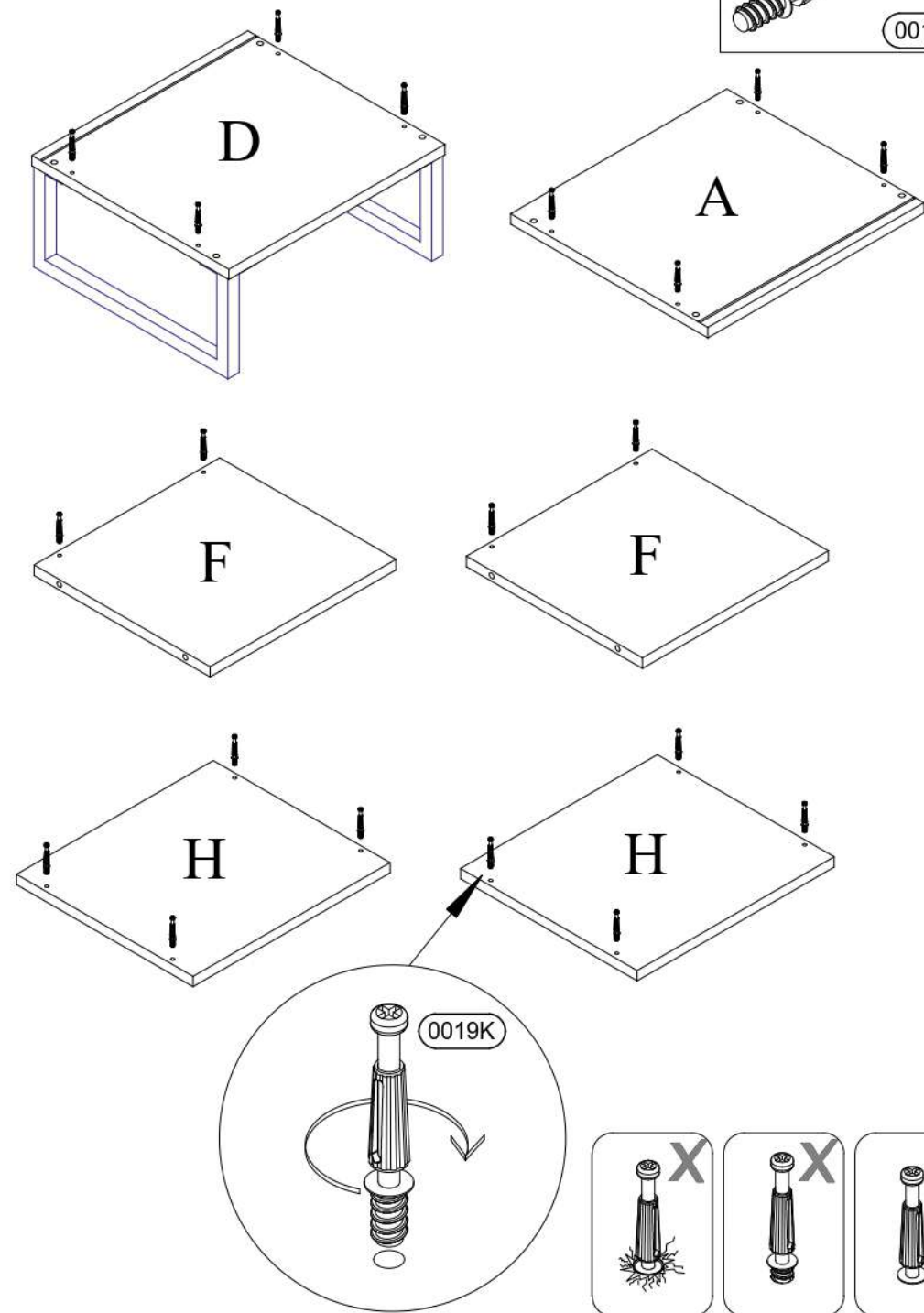
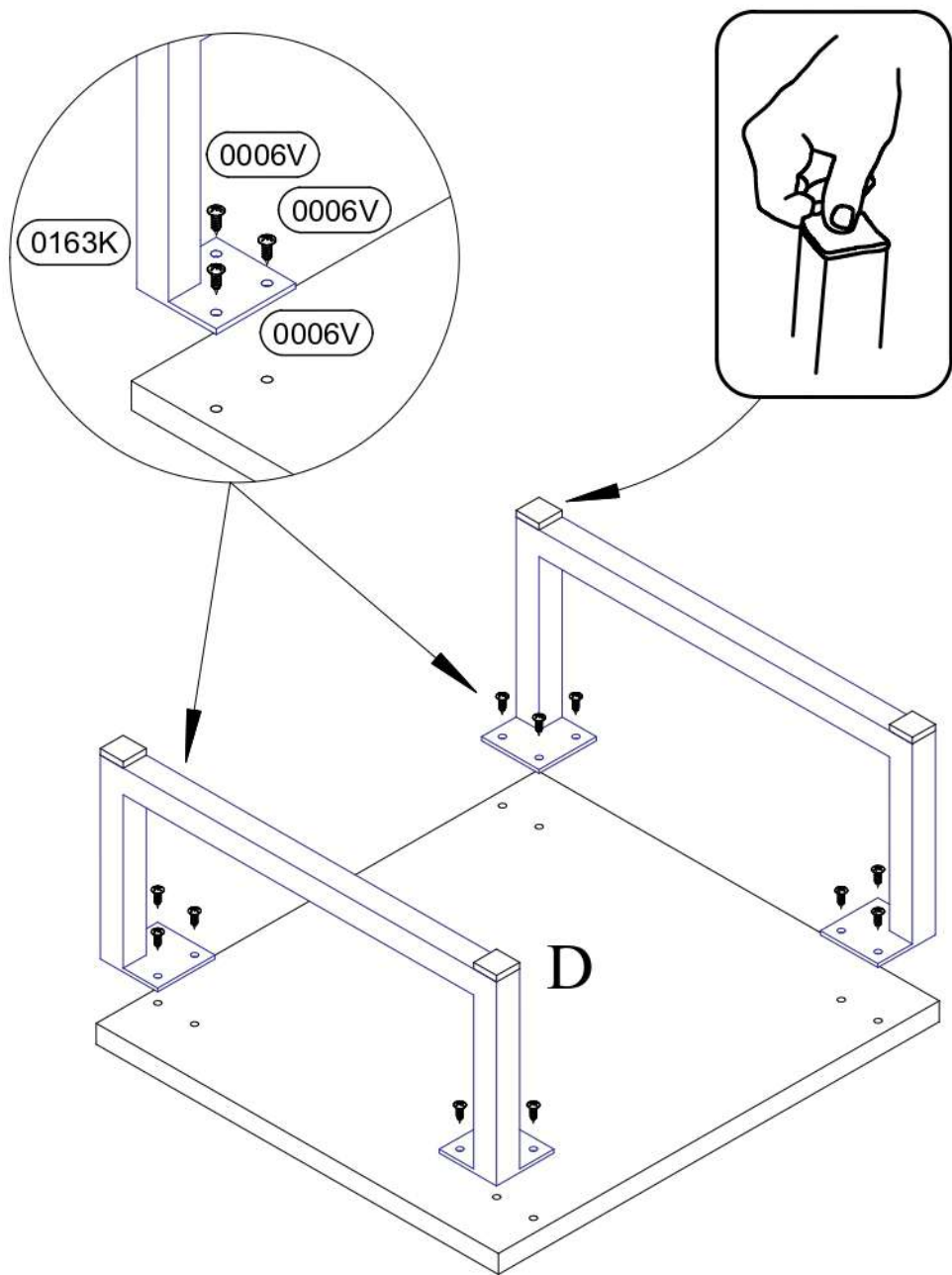
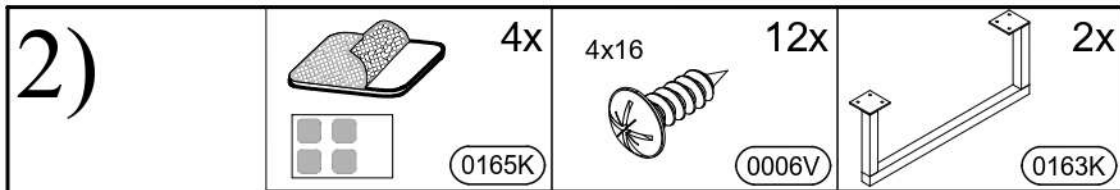


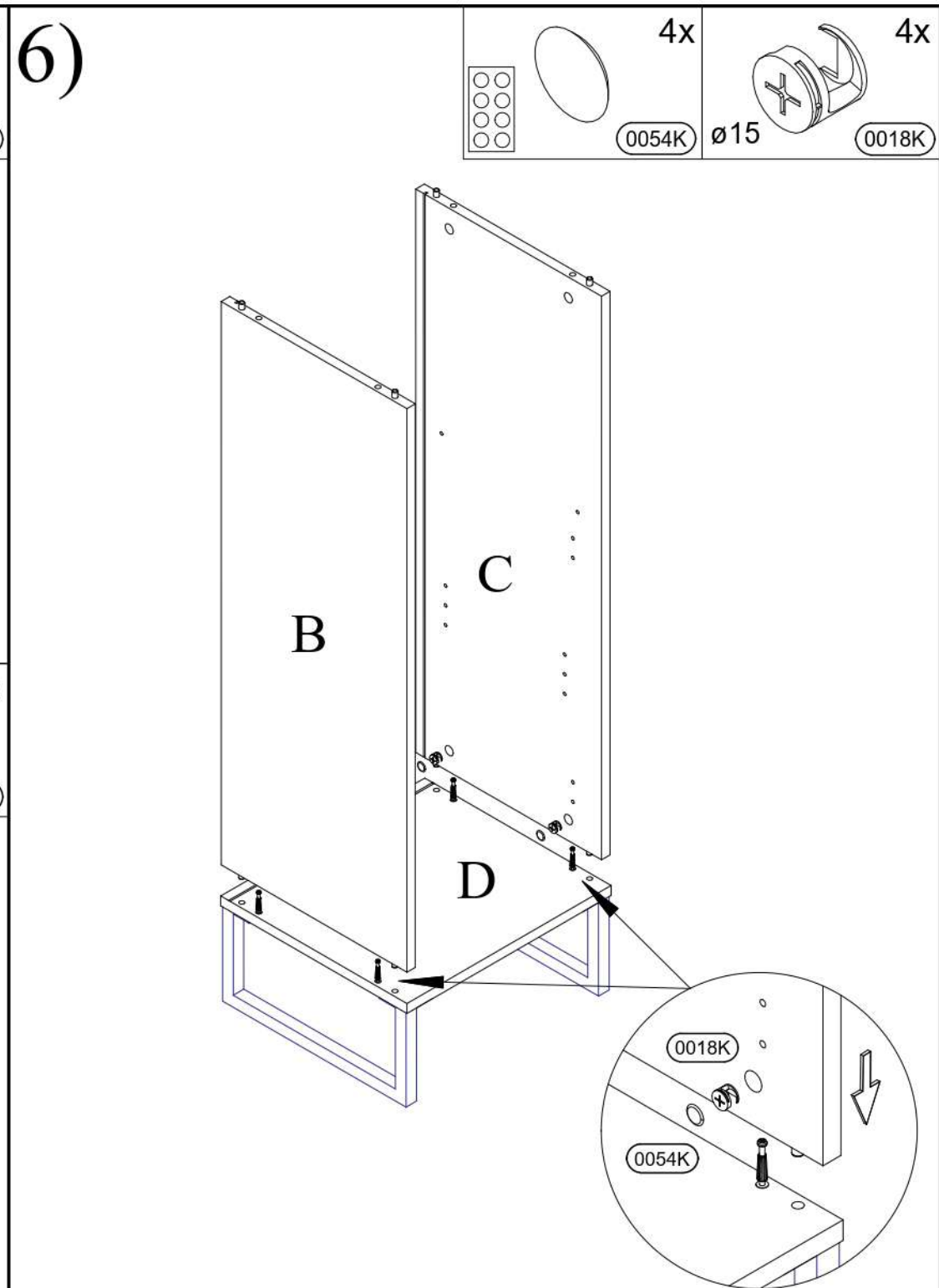
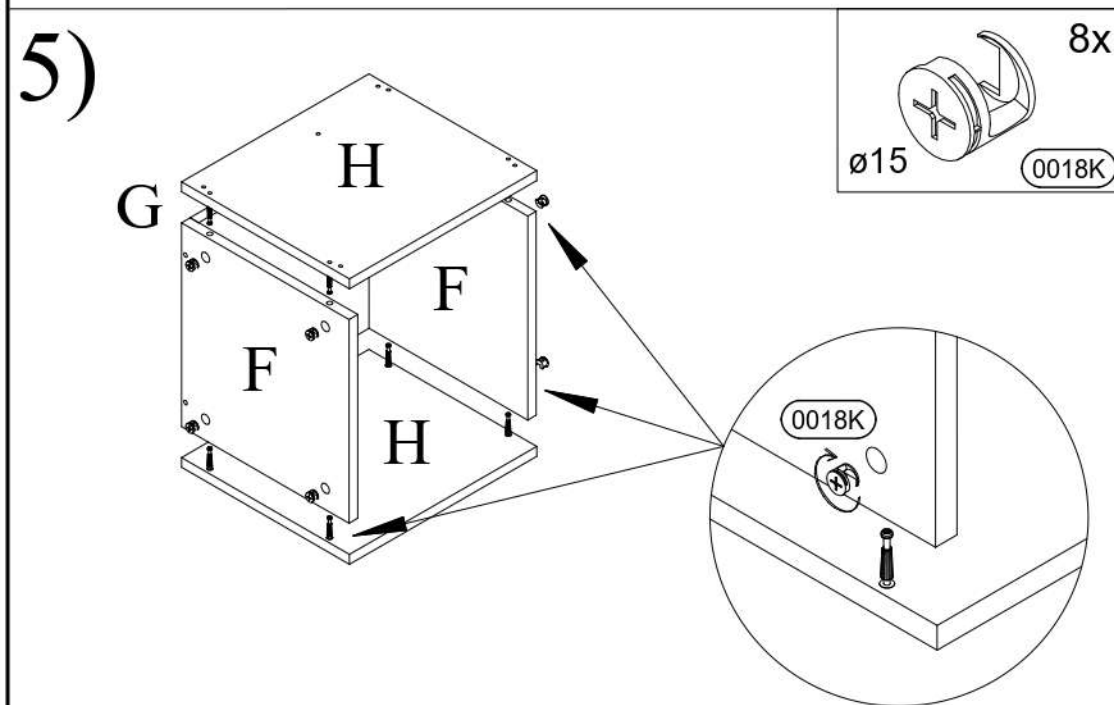
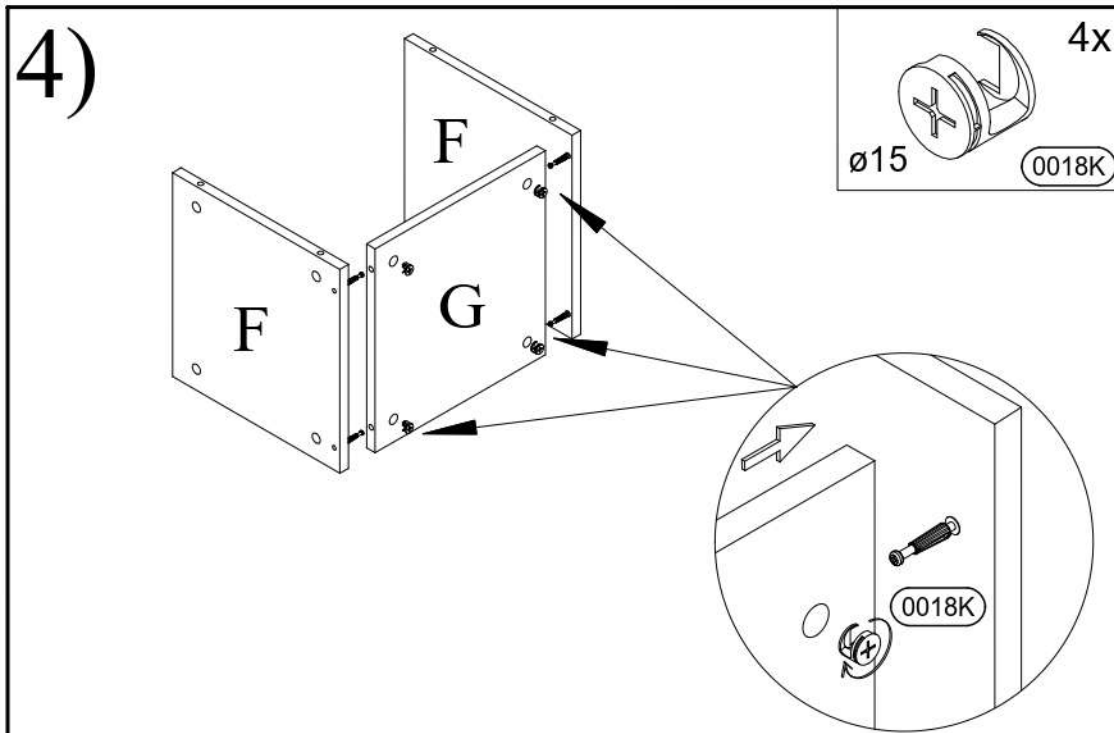
1x  0013K	8x40 8x  0001K	20x  ø15 0018K
20x  0019K	4x  0054K	10x  0004K
4x16 13x  0006V	4x  0009K	2x  0036K
2x  15mm 0170K	4x16 8x  0002V	1x  0024U
3x16 2x  0003V	4x  0165K	1x  0109K
5x70 1x  0013V	ø8 1x  0051K	4x  0131K
8x  0101K	2x  0163K	1x  0123K

1)

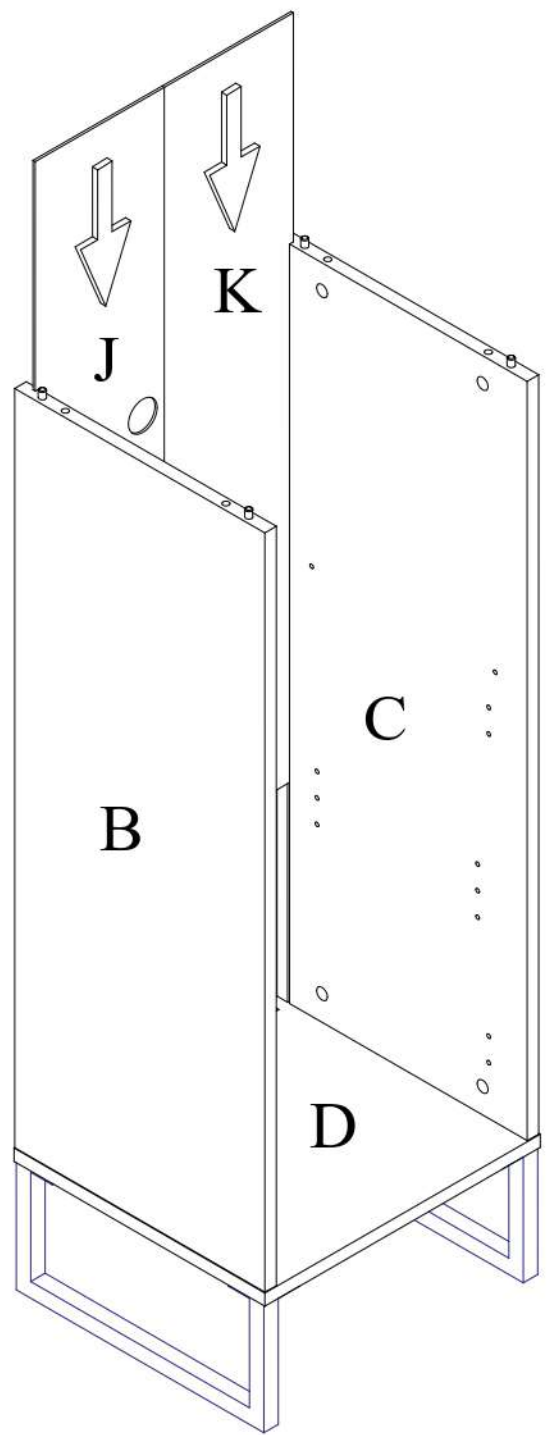
8x40 8x  0001K



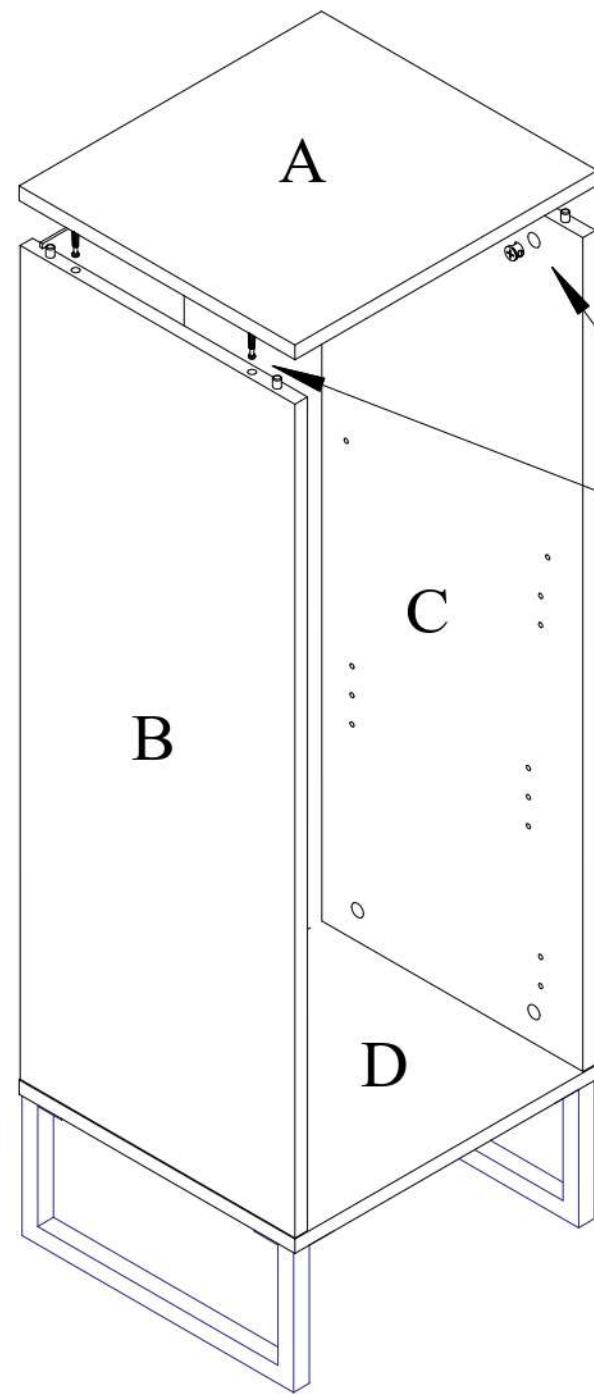




7)



8)

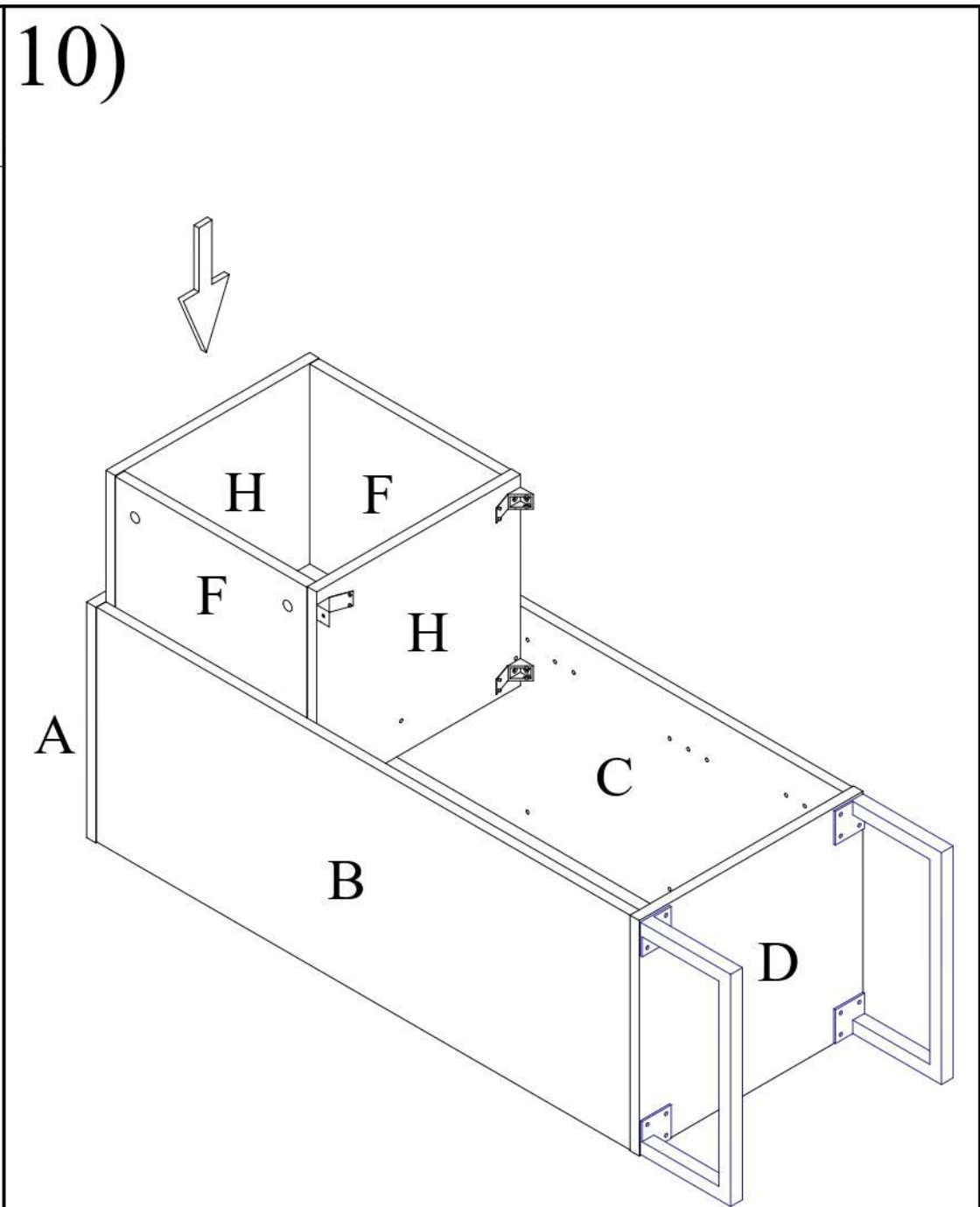
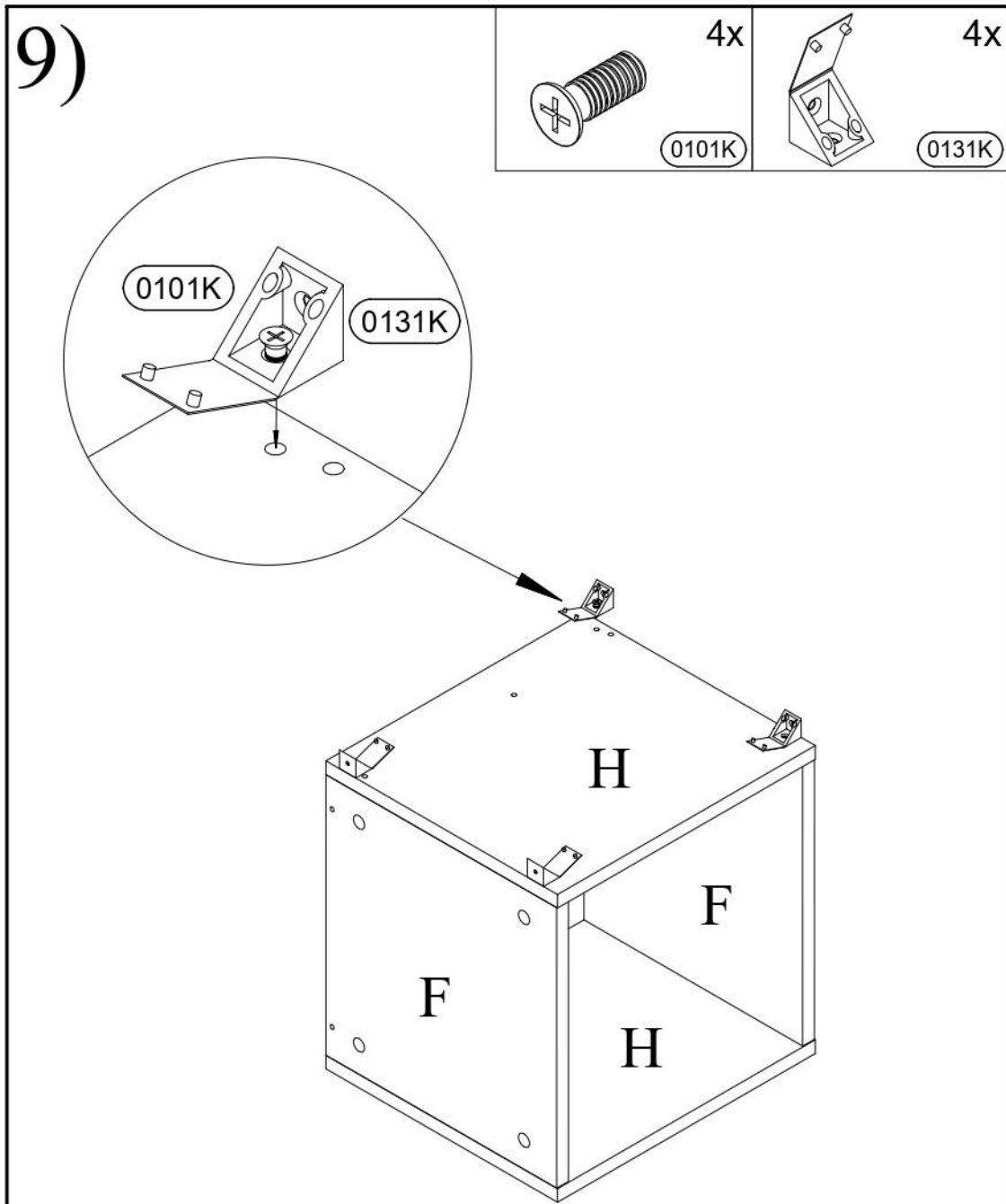


$\varnothing 15$

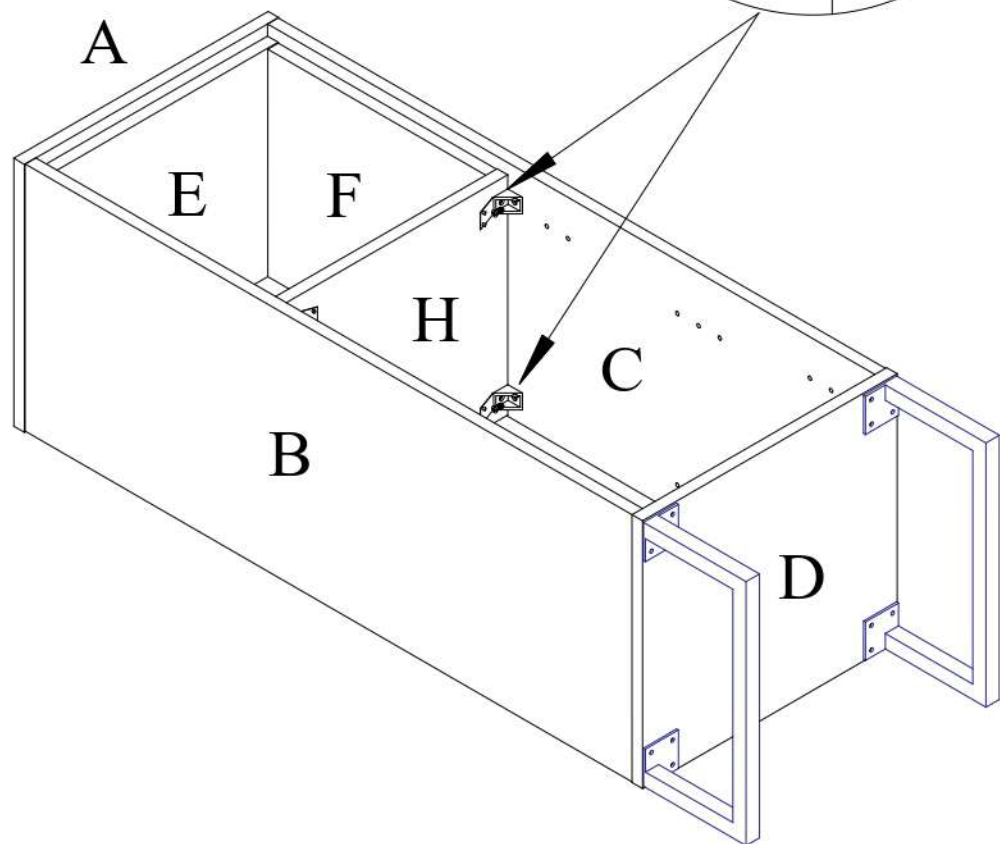
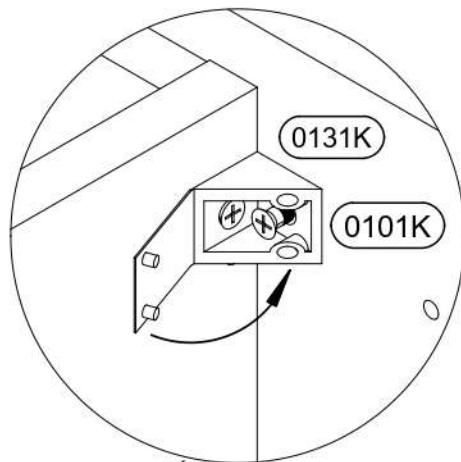
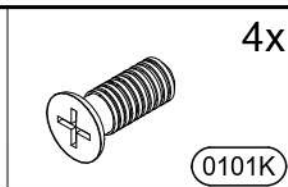
0018K

4x

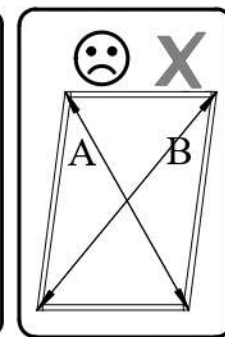
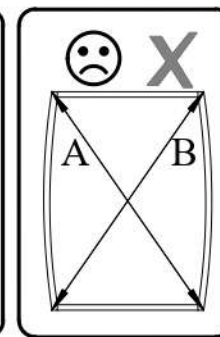
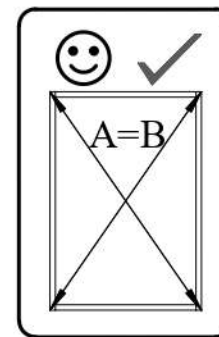
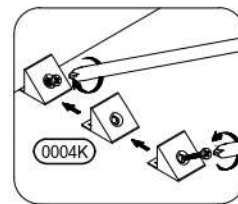
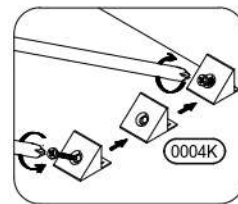
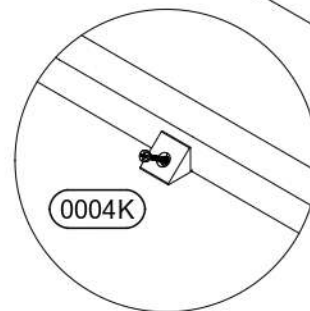
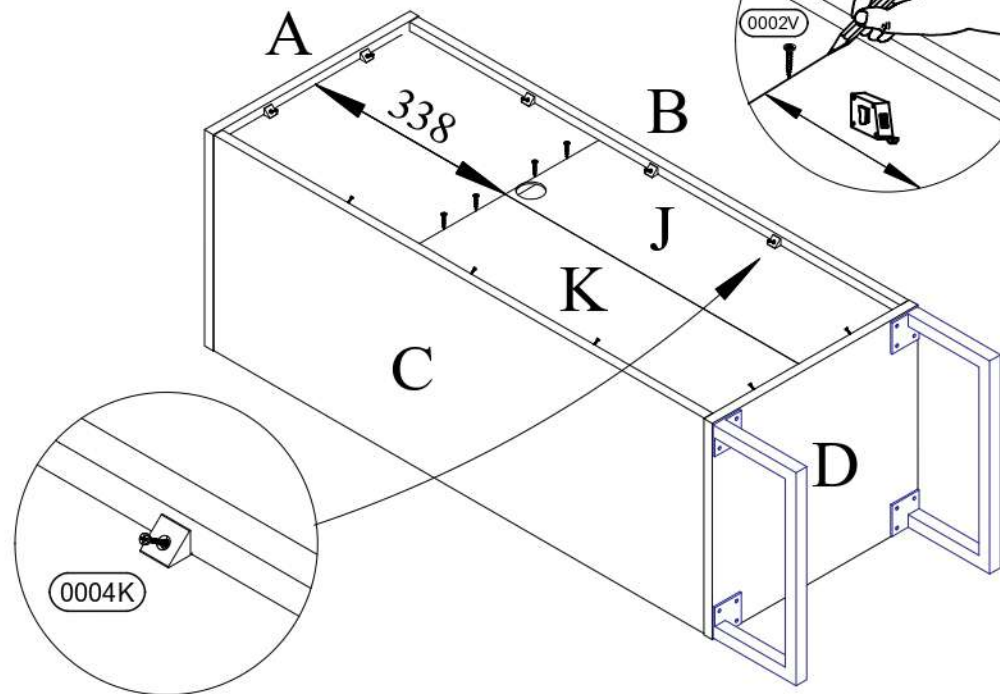
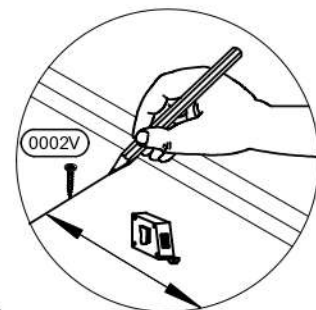
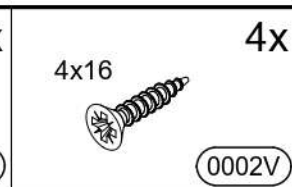
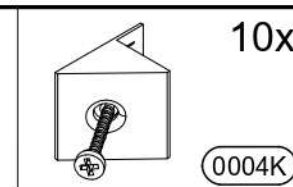
0018K




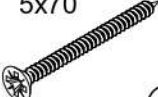

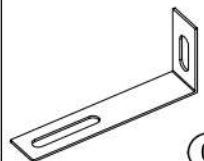
11)

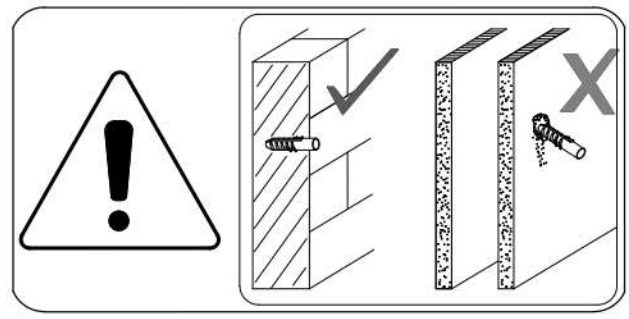
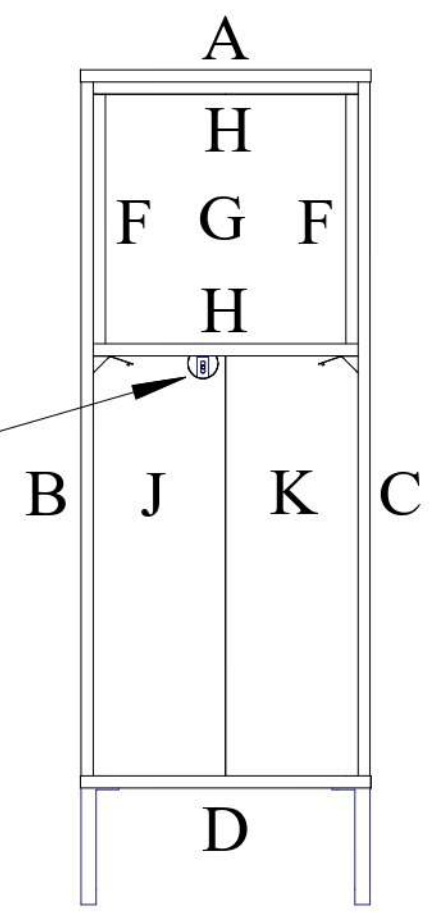
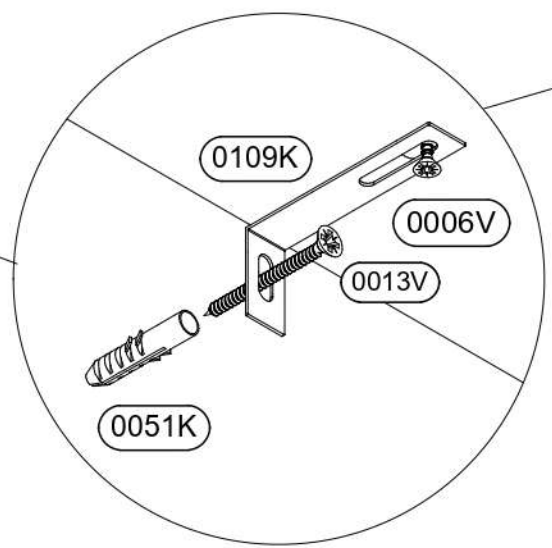
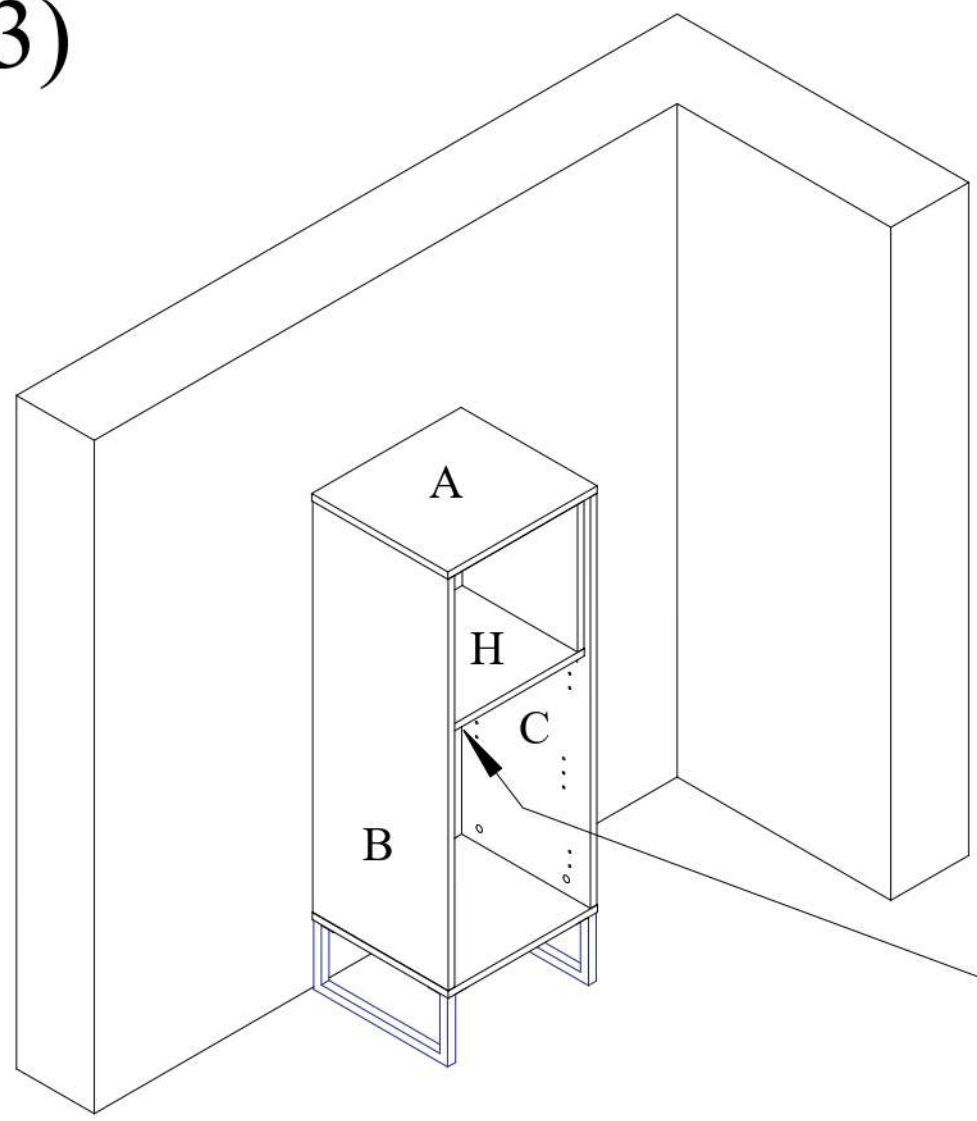


12)

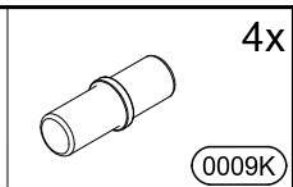
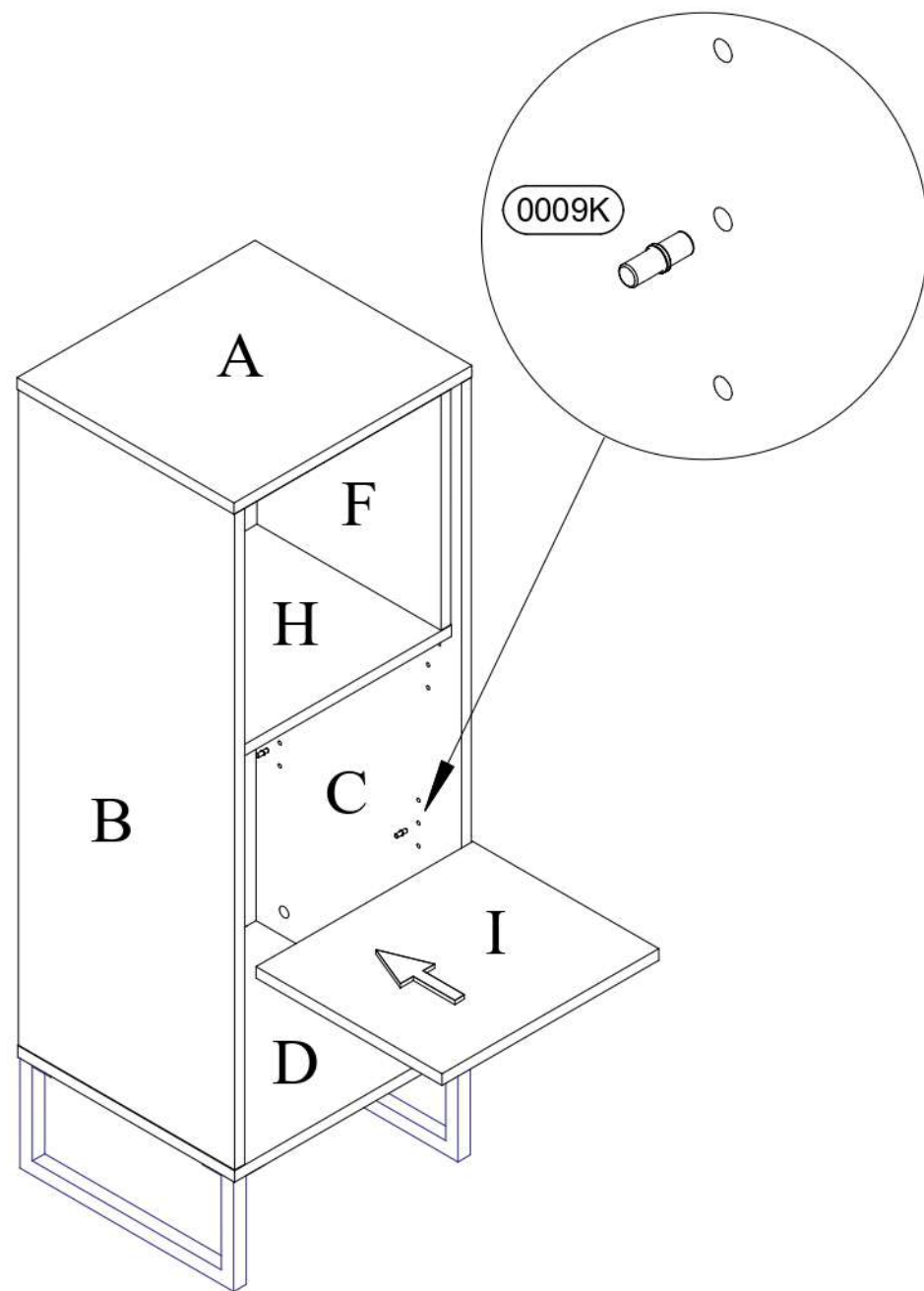


13)

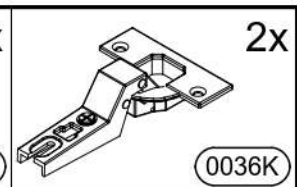
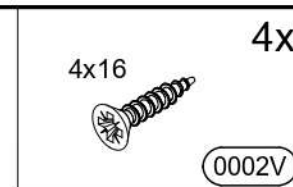
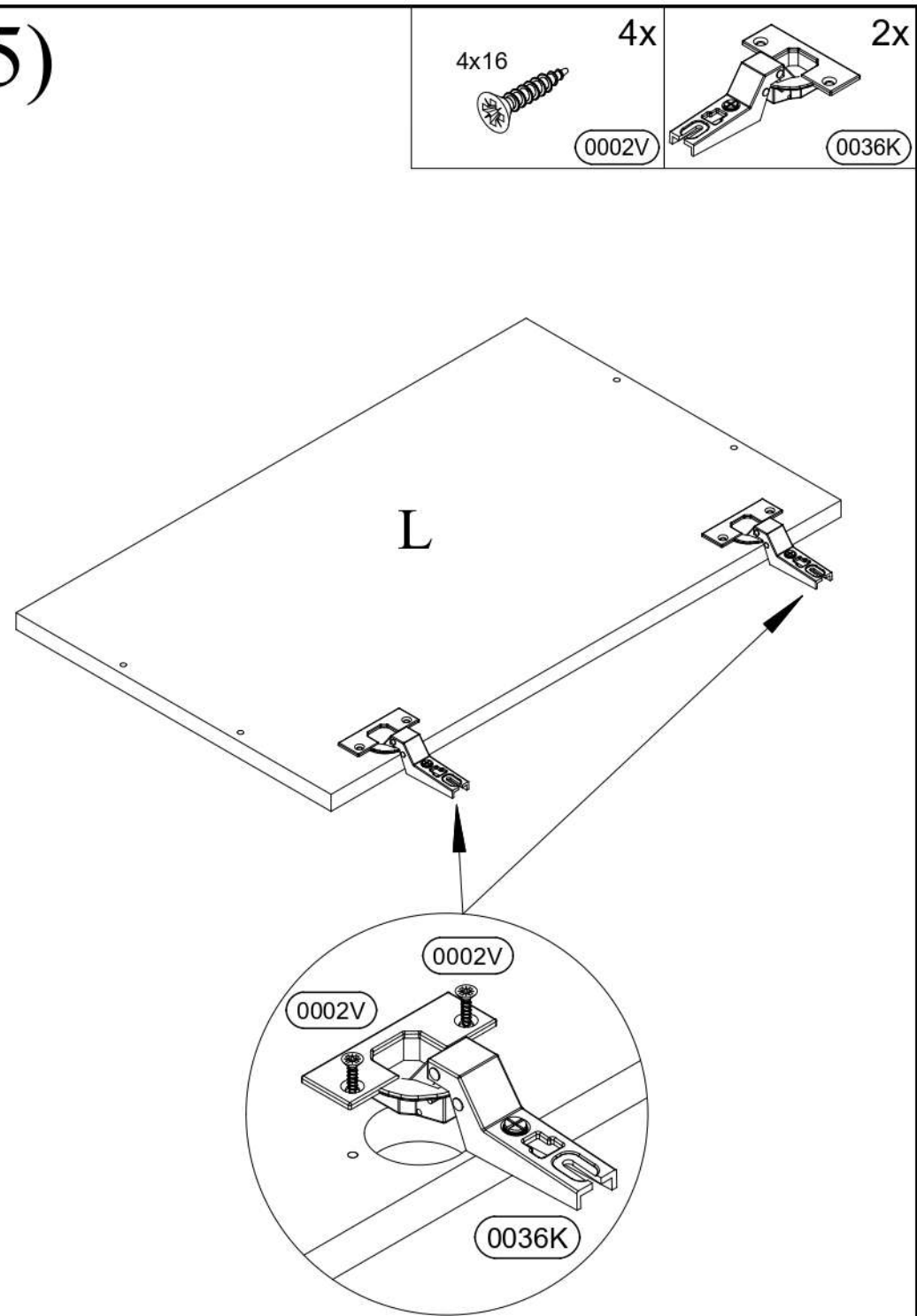
- | | | | |
|-----------------------------------------------------------------------------------------------------------|-----------------------------------------------------------------------------------------------------------|---------------------------------------------------------------------------------------------------------|---------------------------------------------------------------------------------------------------|
| 
4x16
1x
0006V | 
5x70
1x
0013V | 
ø8
1x
0051K | 
1x
0109K |
|-----------------------------------------------------------------------------------------------------------|-----------------------------------------------------------------------------------------------------------|---------------------------------------------------------------------------------------------------------|---------------------------------------------------------------------------------------------------|



14)



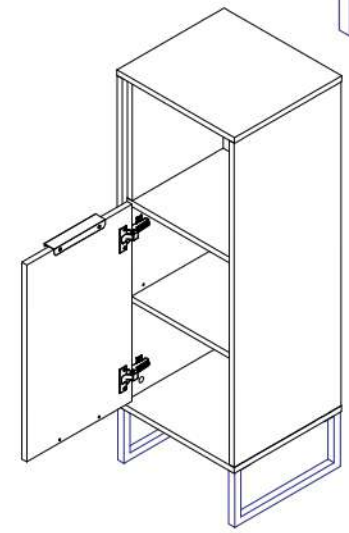
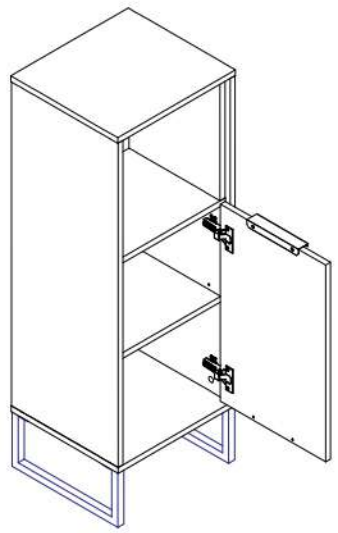
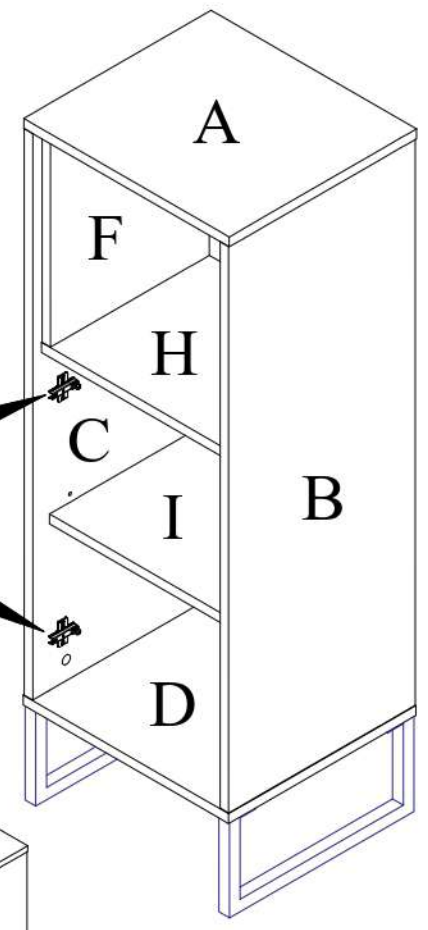
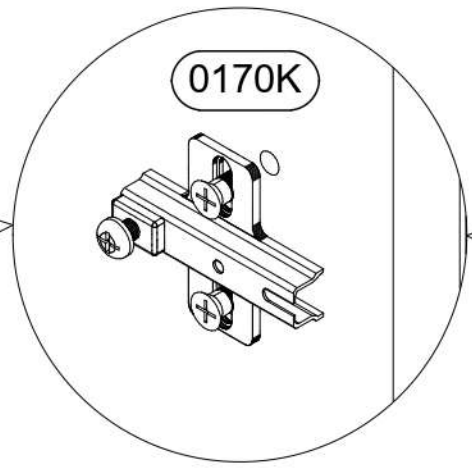
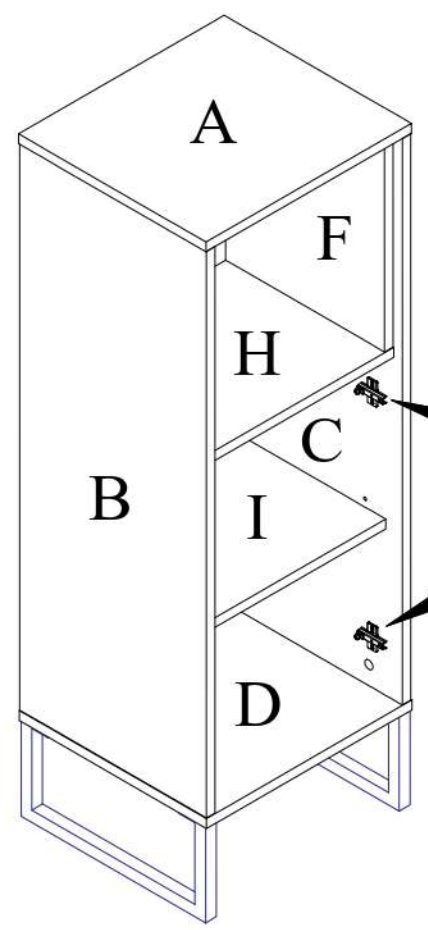
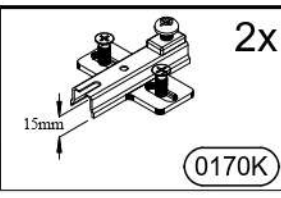
15)



16)

var. 1

var. 2



17) var. 1

